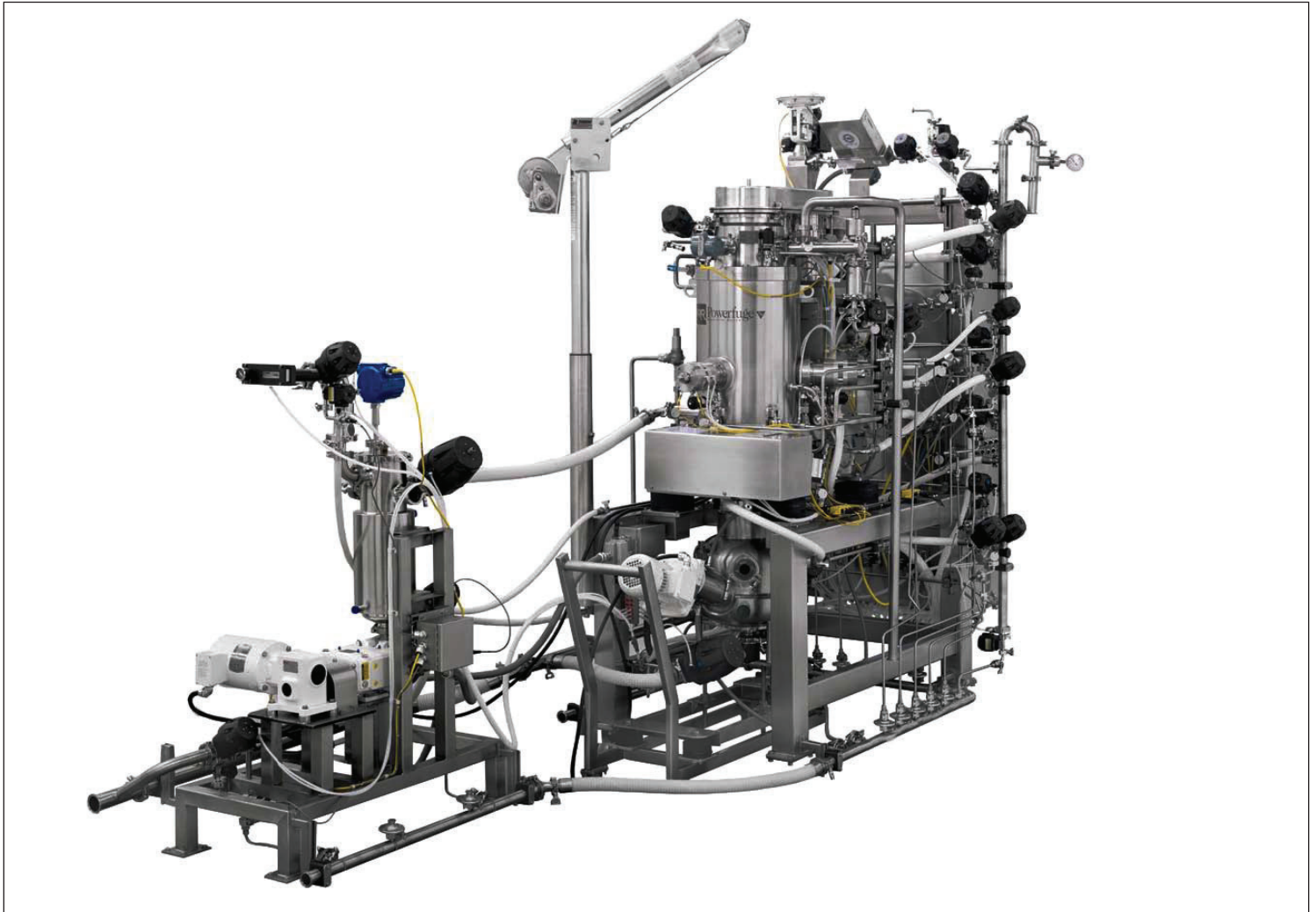




CARR® Centritech Separation Systems CARR® Powerfuge® P12



Features

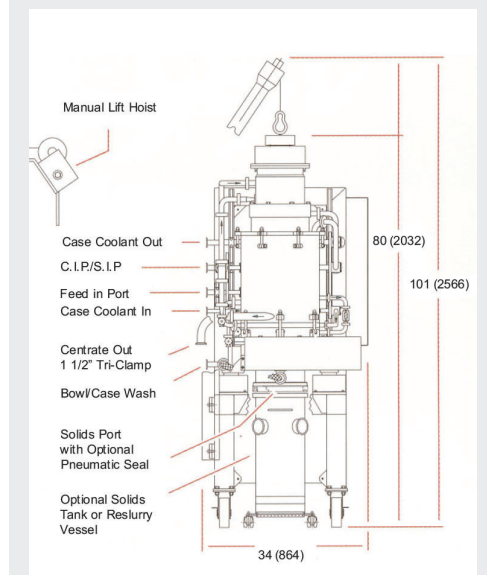
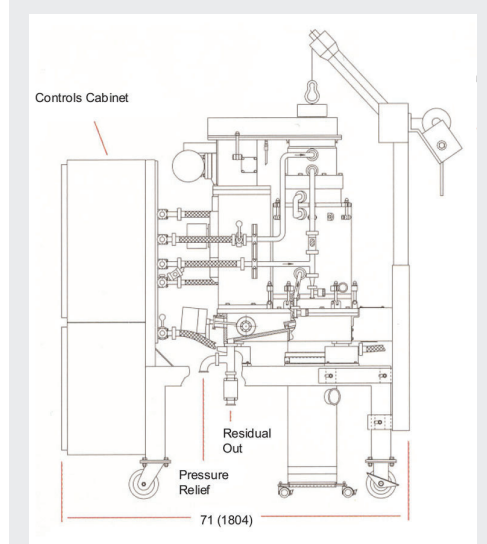
- Unique SoftStream™ low-shear design
- Provides gentle separation with no cell damage
- 99% recovery of intact cells
- 99% reduction of solid load
- Up to 90% reduction in downstream filtration
- 20-fold concentration factor
- Medium-to-high-volume processing
- Closed system design with CIP/SIP
- Concentrated cells and supernatant can be recovered without breaking containment
- Fully automated operation
- Integrates easily into automated processes
- State-of-the-art manufacturing facility located in Clearwater, FL.
- ASME Rated Designs available
- XP Designs available

CARR® Centritech Separation Systems CARR® Powerfuge® P12

PneumaticScaleAngelus' unique CARR Centritech P12 Powerfuge System provides continuous flow two-phase separation of solids and liquids at rates up to 500 liters/hour for batches up to 4,000 liters. Using an innovative design, the feed is introduced through a stationary pipe and accelerated to full rotational speed before entering the titanium-alloy bowl. In this system, centrifugal forces as 20,000g permit separation of even sub-micron particles. Compressed solids are periodically removed with a fully automated scraping cycle. After the solids have been discharged, automated CIP/SIP cycles can be performed via the PLC controlled operating sequence.

The P12 is designed for ease operation, with seal feed and drain lines allowing for aerosol-free operation. Similarly, no special tools are required to disassemble the system. Integrated turnkey systems incorporating feed delivery options, CIP and SIP skids, temperature control, and closed-loop centrate pumping under vacuum are available.

The P12 system meets cGMP and CE requirements and has been validated to meet chemical and pharmaceutical industry protocols. The P12 is engineered to optimize ease of operation while maximizing throughput; each step in the process can be readily automated so that the time spent on routine maintenance can be minimized.



For more information, please contact your CARR Centritech representative at:
5320 140th Avenue North
Clearwater, FL 33760 USA
(727) 535-4100
or
Otto-Hahn-Strasse 54
D-63303 Dreieich-Sprendlingen
Germany
(+49) 6103-38090

Angelus | Carr Centritech | ConsolidatedContinental/Closetech | Hema
Mateer BurtMulti-Tech Systems | OnTrack | Zepf Change Parts