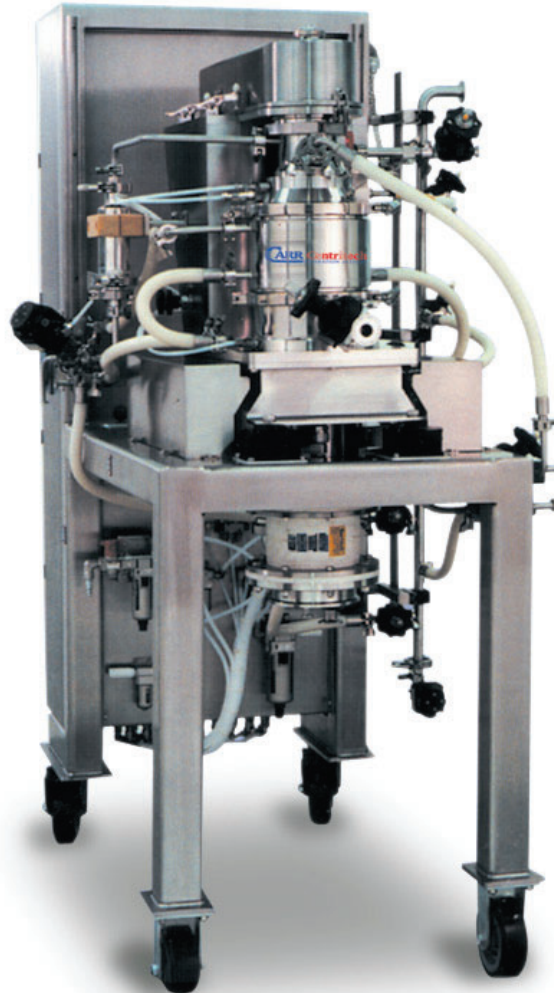




## CARR® Centritech Separation Systems CARR® Powerfuge® P6



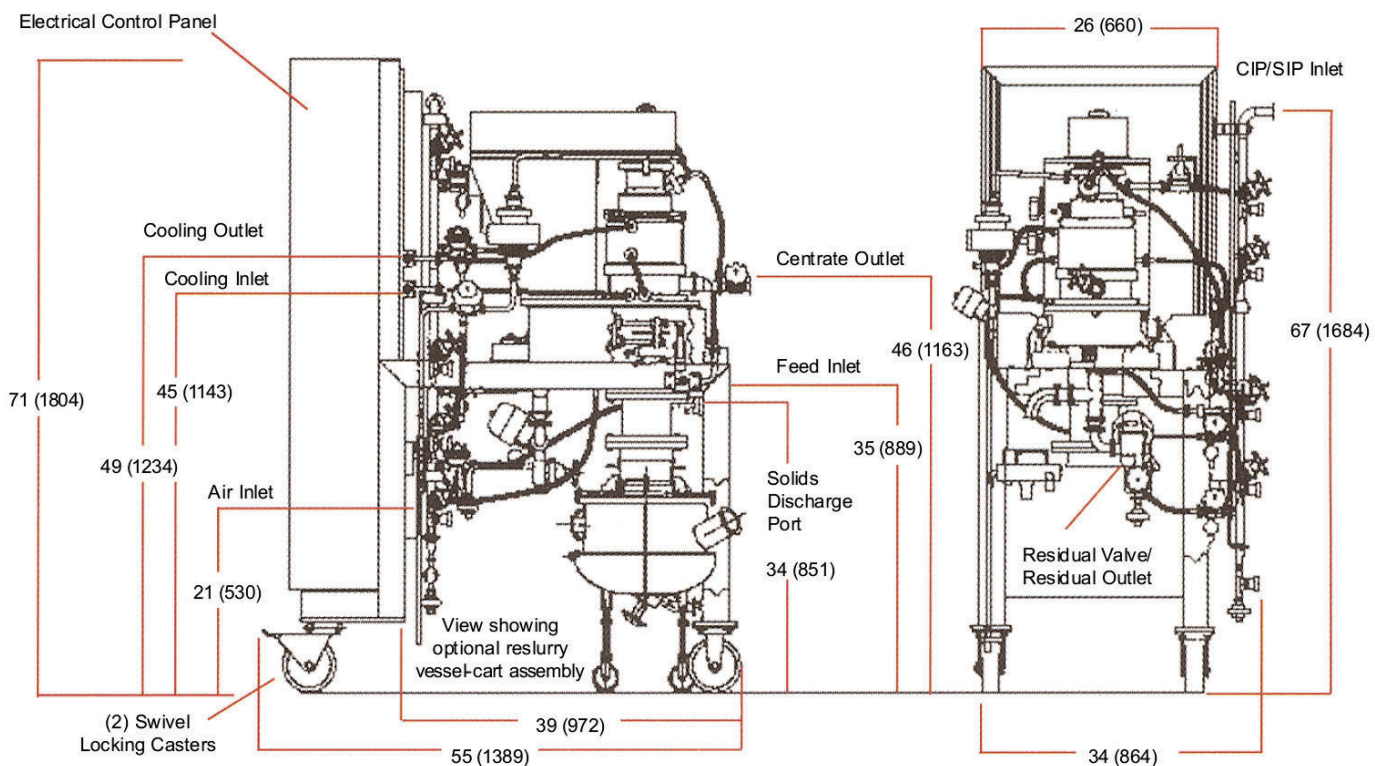
### Features

- Unique SoftStream™ low-shear design
- Provides gentle separation with no cell damage
- 99% recovery of intact cells
- 99% reduction of solid load
- Up to 90% reduction in downstream filtration
- 20-fold concentration factor
- Medium-to-high-volume processing
- Closed system design with CIP/SIP
- Concentrated cells and supernatant can be recovered without breaking containment
- Fully automated operation
- Integrates easily into automated processes
- State-of-the-art manufacturing facility located in Clearwater, FL.
- ASME Rated Designs available
- XP Designs available

# CARR® Centritech Separation Systems CARR® Powerfuge® P6

PneumaticScaleAngelus' unique CARR P6 Powerfuge System provides continuous-flow two-phase separation of solids and liquids at rates up to 60 liters/hour. Using an innovative design, the feed is introduced through a stationary pipe and accelerated to full rotational speed before entering the titanium-alloy bowl. In this system, centrifugal forces as great as 20,000g permit separation of even sub-micron particles. Compressed solids are periodically removed with a fully-automated scraping cycle. After the solids have been discharged, automated CIP/SIP cycles can be performed via the PLC-controlled operating sequence. The P6 is designed for ease of operation, with sealed feed and drain lines allowing for aerosol-free operation. Similarly, no special tools are required to disassemble the system. Integrated turnkey systems incorporating feed delivery options, CIP and SIP skids, temperature control, and closed-loop centrate pumping under vacuum are available.\* The P6 system meets cGMP and C requirements and has been validated to meet chemical and pharmaceutical industry protocols. The P6 is engineered to optimize ease of operation while maximizing throughput; each step in the process can be readily automated so that time spent on routine maintenance can be minimized.

For more information, please contact your CARR Centritech representative at:  
 5320 140th Avenue North  
 Clearwater, FL 33760 USA  
 (727) 535-4100  
 or  
 Otto-Hahn-Strasse 54  
 D-63303 Dreieich-Sprendlingen  
 Germany  
 (+49) 6103-38090



\*Vessels designed for integration with the P6 for vacuum operation and solids handling are available.

\*\*Actual capacity (throughput) is dependent on the characteristics of the fluids, amount and type of the solids and required degree of clarification. Practical capacities may differ substantially for your applications.

Note: Dimensions are displayed in inches (millimeters).

Angelus | Carr Centritech | ConsolidatedContinental/Closetech | Hema  
 Mateer BurtMulti-Tech Systems | OnTrack | Zepf Change Parts

**Pneumatic Scale Angelus**  
 4485 Allen Road  
 Stow, OH 44224 USA

t. +1 (330) 923-0491  
[psangelus.com](http://psangelus.com)

barrywehmler  
  
 betterworld